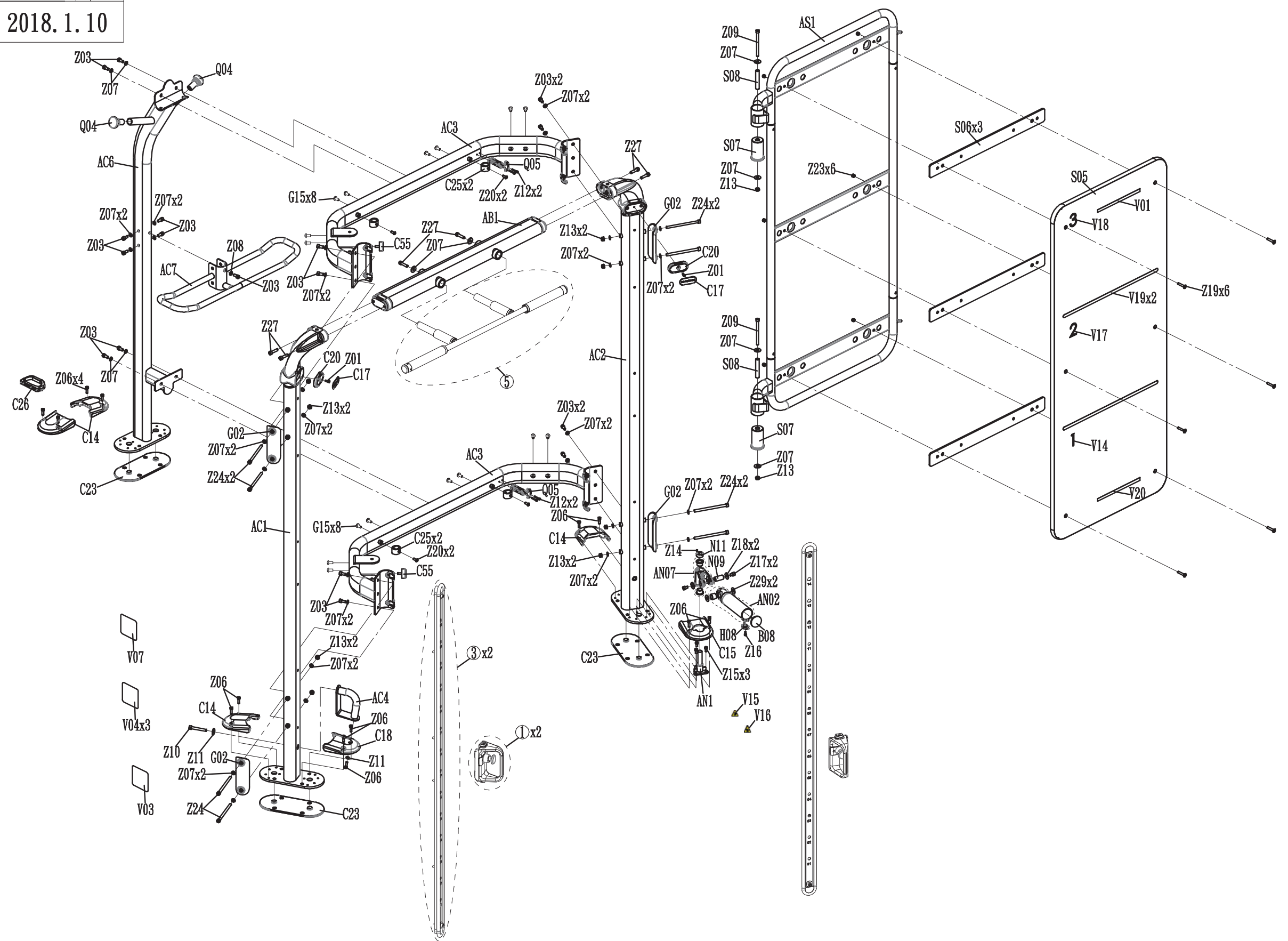
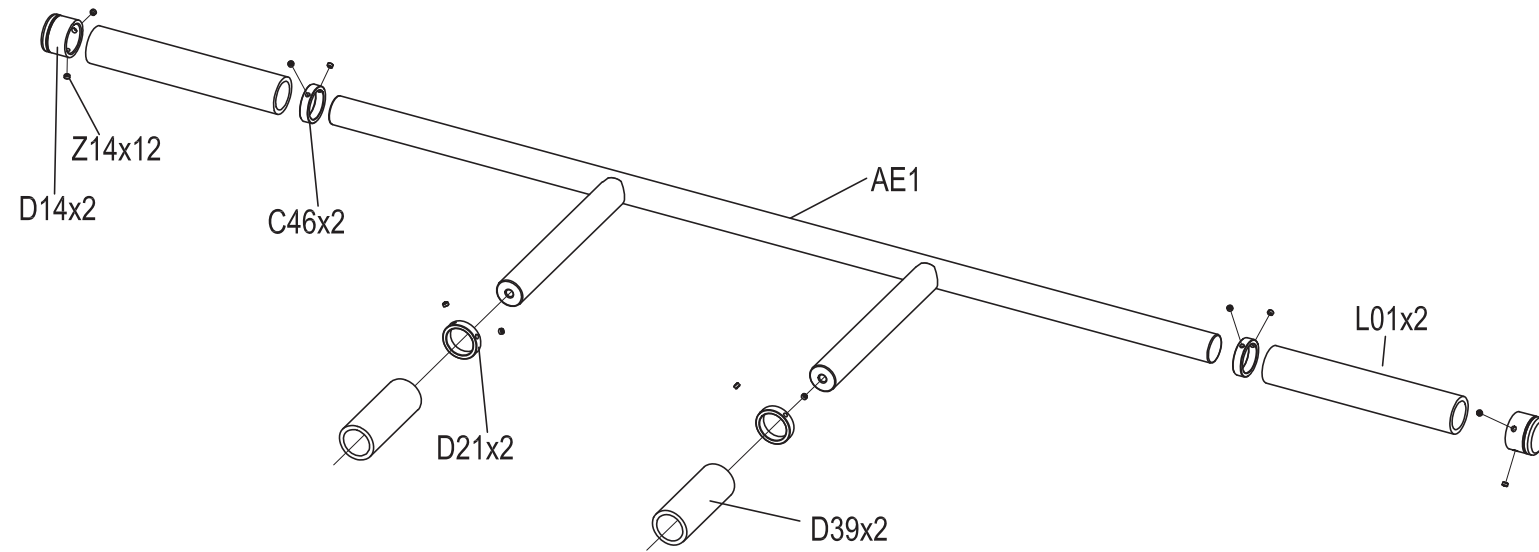


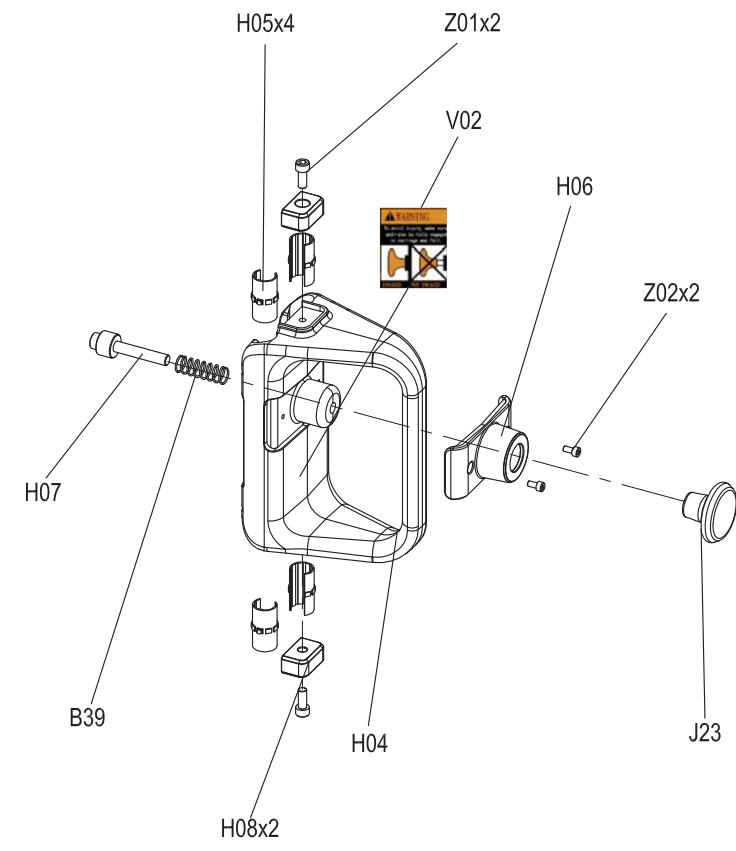
DRAWING NO	PGT10-KM		
PART NAME	Explosive Drawing		
PART NO	MGT0012-00	REV	A
APPROVE	Michael	DATE	2018.1.10



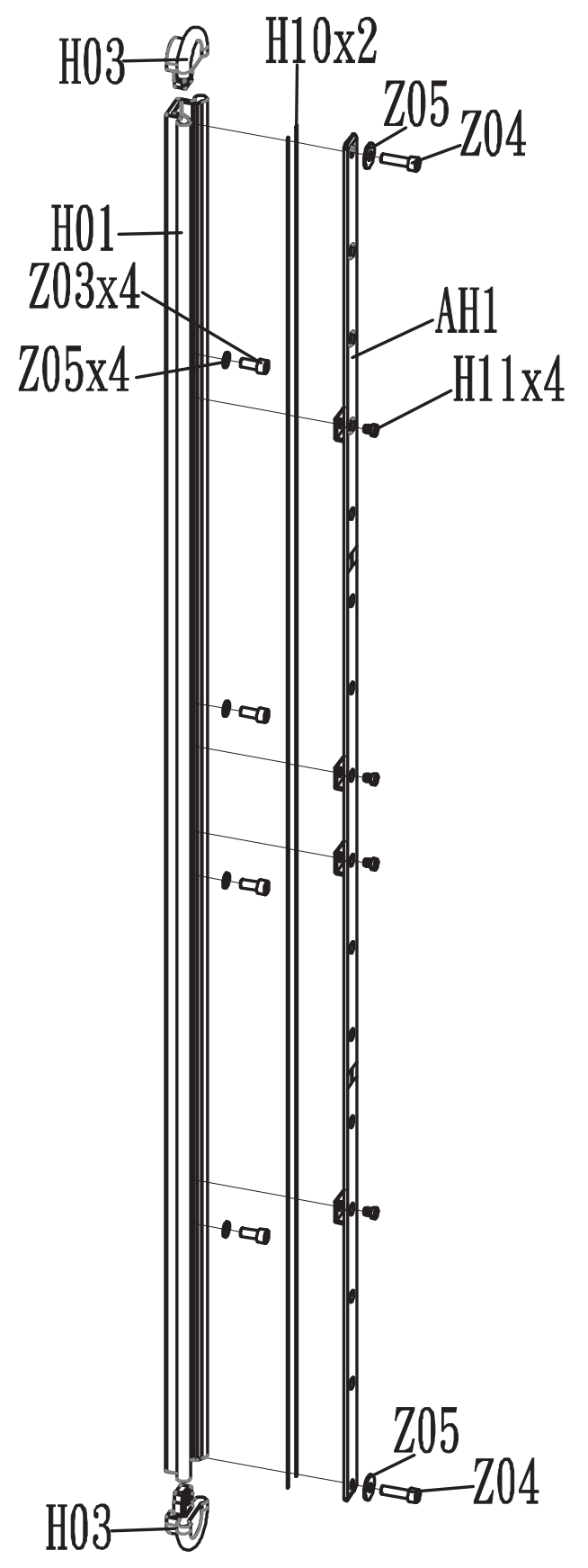
DRAWING NO			
PART NAME	Handle set;Semi-Assy;up;;;GT01;;		
PART NO	1000354096	REV	A
APPROVE	Sophia	DATE	060115



DRAWING NO			
PART NAME	Adjustment Grip Set;Semi-Assy;;;GT01;;		
PART NO	1000363448	REV	A
APPROVE	Sophia	DATE	032415



DRAWING NO	GT10-AH03		
PART NAME	Explosive Drawing		
PART NO	1000416674	REV	A
APPROVE	Michael	DATE	2017.11.6



Reference Number	Part #	Description	Notes
1	1000363448	Adjustment Grip Set Semi-Assy GT01	
5	1000354096	Handlebar Set Semi-Assy up GT01	
AB1	1000363530	Frame Set 1 Painting Black Matte GT01	
AC4	1000411334	Connect base-Extrawork Cr Plate GT10-	
AE1	1000354100	Grip-Exreawork electroplating Diam.31.	
AN02	1000354134	Weight Lifting Mast Set GT01 ??	
AN07	1000354139	Connect Base Set GT01 Black Matte	
AN1	1000354116	Weight Lifting Mast-Exreawork Cr Plate	
AS1	1000416649	Support Rack Set painting Black Matte	
B08	1000355724	Shim Supt Tube NBR BL/Black C FW232	
B39	1000393222	Spring Compression 1.3x12.7x38Lx7 SWP	
C14	1000363554	Cover Painting Black Matte GT01	
C17	1000354109	Decal Light Silver AL GT01	
C20	1000354108	Decal Plate Base up ABS/PA757 CHM GT01	
C55	090440	Stopper BlockRubber GM30	
D14	009371-E	Cap Grip GM03	
D21	1000364296	Stopper Ring Anodizing GT01 Diam.32xDi	
D39	000590-C	Foam Grip 30.4x5.0x110L	
G02	1000363542	Connect Plate Painting Black Matte GT	
G15	1000362717	Cap PVC BL/Black C GT01	
H03	1000354056	Cap 130g Anodizing/Sanding	
H04	1000354058	Grip Grip Anodizing/Sanding	
H05	1000354200	DryLin GT01 JUMO-01-16 IGUS	
H07	1000354059	Pull Pin Adjustable	
H08	1000354060	Rubber Plate Stopper NBR Q520-7-3 MATTE	
H11	049274-00	Screw Hex Socket Button Head M8x1.25Px10	
J23	1000217438	Handle Pull Pin TPP Black Orange GM59	
L01	018904-CA	Foam Grip 24x5x260L	
N09	1000354142	Swivel Axle-Exreawork Cr Plate Diam.20	
N11	1000354143	Stopper Cover-Exreawork Cr Plate Diam.	
Q04	1000351484	End Cap TPU Gray/80435 GT04-KM	
S05	1000354151	med ball target board t=25.4 GT01	
S06	1000354152	Cushion SBR BL/Black C t=6 GT01	

V01	1000365161	LOGO Label connexus GT01
V02	1000363349	Warning Label PULL PIN 40x47 GT01
V14	1000364059	LABEL 1 GT01
V15	1000109127	Decal Pinch Point MS21KM-G3
V17	1000364060	LABEL 2 GT01
V18	1000364061	LABEL 3 GT01
V19	1000364062	Decal GT01
V20	1000364063	LOGO Label 173x15 MATRIX
Z01	1000099212	Screw SH M6x1.0Px15L - HS - CHM - -
Z02	1000358289	Screw Socket Head M4x0.7Px8L Hex Socket
Z03	049256-AB	Screw Hex Socket Round M10x1.5Px20L Cr
Z04	004529-AD	Screw Hex Socket Round M10x1.5Px40L
Z05	005062-00	Washer Flat 10.2x19x2.0T Chromed
Z06	1000097206	Screw SH M8X1.25PX25L HS CHM BP
Z07	005062-00	Washer Flat 10.2x19x2.0T Chromed
Z08	005173-ZA	Washer Arc 10.5x20.0x2.0T
Z10	035882-AB	Screw SH M8x1.25Px75L MT HS G12.9 CHM P-
Z11	005117-AB	Washer Flat 8.2x16.0x2.0T Chromed
Z12	004449-00	Screw Round Hex Socket M5X0.8PX30L
Z13	1000105174	Nut Nylon M10x1.5P G12.9 CHM
Z14	004855-AC	Set Screw M6X1.0PX4L
Z15	004476-Z	BOLT SH M8X16
Z16	1000093752	Screw SH M6X1.0PX12L HS G8.8
Z17	062234-00	Screw Socket Head M10x1.5Px12L Hex Sock
Z18	005043-7	Washer Flat Diam.X10xDiam.X30x2.0T Chro
Z19	004584-A	Screw Hex Socket Sink M8x1.25Px45L
Z20	0000084584	Screw BH M8X1.25PX20L HS BAN
Z23	004929-00	Nut Nylon M8x1.25P Chromed
Z24	1000309154	Screw Socket Head M10X1.5PX155L-20 Hex
Z27	004529-AD	Screw Hex Socket Round M10x1.5Px40L
Z29	005029-00	Washer Flat 20.2X35X1.5T Black Zinc
3	1000416674	ADJ Start Set Semi-Assy GT10-KM no h
AC1	1000416640	Frame Set R painting Black Matte GT10-
AC2	1000416643	Frame Set painting Black Matte GT10-K

AC3	1000416646	Connecting Set 1 painting Black Matte	
AC6	1000416668	Support Set painting Black Matte GT10	
AC7	1000416671	Support Rack Set painting Black Matte	
AH1	1000412167	Adjustable Set-Exreawork Pin Laser lett	
C18	1000416657	Cover painting Black Matte GT10-KM	
C23	1000417261	Foot Pad NBR Grey/DS024 PQ520-7-3 GT10	
C25	1000408261	Elastomer-Extrawork frame Black GT10-K	
C26	1000402008	Rubber Sleeve Swivel Arm Axle SBR GT	
C46	1000367214	AL Ring Anodzing GT01 25.5X35.1X15	
H01	1000412159	Elliptical Track 1863L AL 6063 Anodizi	
H10	1000412163	Foam singleside 1826x3x1.0T GT10-KM	
Not Shown	1000401935	Hardware Set Semi-Assy GT10-KM	
Q05	1000402042	Hanging Hook TPU GT10-KM	
S07	1000402035	Swivel Bushing SBR GT10-KM	
S08	1000402037	Swivel Axle 20# Black Annodized GT10-K	
V03	1000409379	EN LABEL GT10-KM	
V04	1000412670	Warning Label Safety GT10-KM	
V07	1000409378	Warning Label GT10-KM	
Z09	1000399677	Screw Socket Head M10X1.5PX130L-35L Hex	
B39	005485-E	Spring Stretch SWP	Discontinued
C15	1000354225	Cover painting Black Matte GT01 land	Discontinued
H06	1000354201	Nut Cap ABS/PA757 Q520-7-3 GT01	Discontinued
V16	1000356443	Decal landmine GT01	Discontinued
Z08	005173-A	WASHER ARC Diam.10.5XDiam.20.0X2.0T	Discontinued
Z08	005173-ZA	Washer Arc 10.5x20.0x2.0T	Discontinued